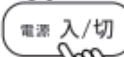


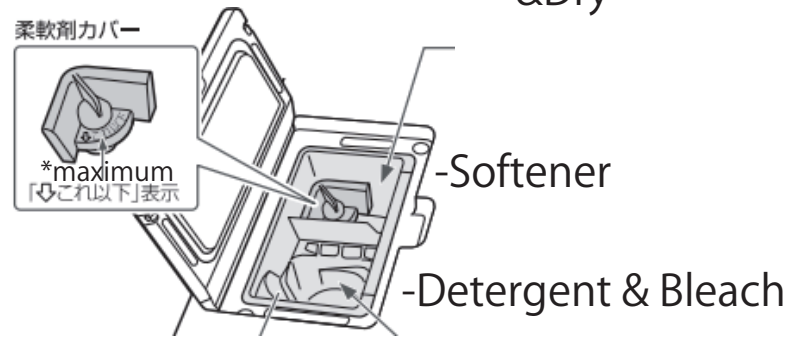
Washer&Dryer ES-K10B Sharp



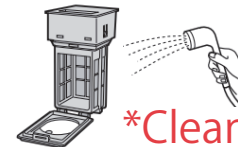
Instructions:

(Make sure water faucet is open)

1. Insert clothes
2. Power on 
3. Choose Wash and/or Drying
4. Customize program (optional)
5. Press Start
6. Once detergent amount is calculated insert detergent
7. Wait until finish and take out clothes



*Wipe door packing once every 2-3 weeks



*Clean dry filter on top back to the right after drying **every time** or if error **U04**



*Rinse in tap water the detergent case after washing every time



*Clean drain filter once every 1-2 weeks or if error code **UF** or **E03**

Error code guide:

E01: no water → open valve

E02: door is open → try to close again

E03, UF: drain clogged → clean drain filter

E04: spin balance error → loosen up clothes

E17: motor problem/too heavy → overfilled, or too much water when drying

E21: door cannot lock → try to open & close again

E31: drain filter is not in place → make sure it is attached properly

U04: dry filter is clogged → clean filter thoroughly with water

U05: too much clothes → try to reduce

*If problem persists please contact Tokyo Lease
and inform error code on display